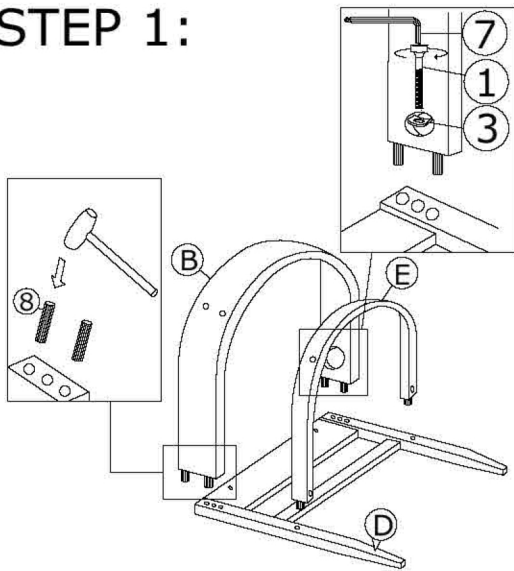
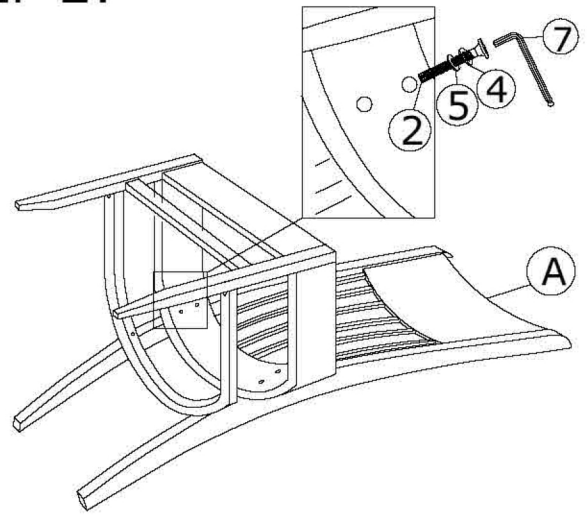


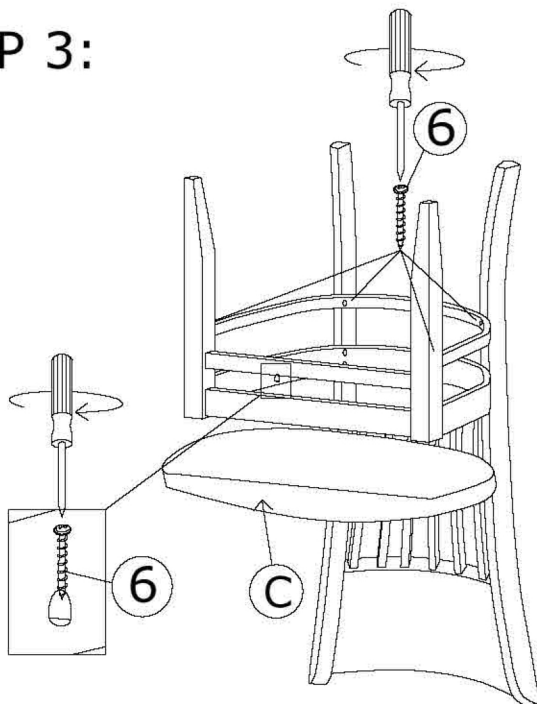
STEP 1:



STEP 2:



STEP 3:



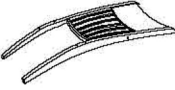
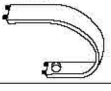

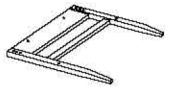
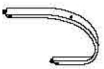
Vera



GastroYou
RESTAURANT • HOTEL • BAR

CAUTION
KEEP ALL THE PARTS OUT OF REACH OF CHILDREN.

| ITEM | HARDWARE LIST | QTY | Spare Qty |
|------|---|-----|-----------|
| 1 | JCCA BOLT M6 X 60MM  | 2 | 1 |
| 2 | JCBC BOLT M6 X 50MM  | 4 | 1 |
| 3 | BEND WASHER  | 2 | 1 |
| 4 | SPRING WASHER M6  | 4 | 1 |
| 5 | FLAT WASHER  | 4 | 1 |
| 6 | PH 4 X 32MM (BLACK)  | 8 | 2 |
| 7 | ALLEN KEY M4 (BALL SHAPE)  | 1 | |
| 8 | WOOD DOWEL 8 X 35MM  | 4 | 1 |

| ITEM | PART LIST | QTY |
|------|---|-----|
| A | BACK REST  | 1 |
| B | 'U' FRAME SUPPORT BAR  | 1 |
| C | CHAIR SEAT  | 1 |
| D | FRONT LEG  | 1 |
| E | 'U' RAIL BAR  | 1 |